

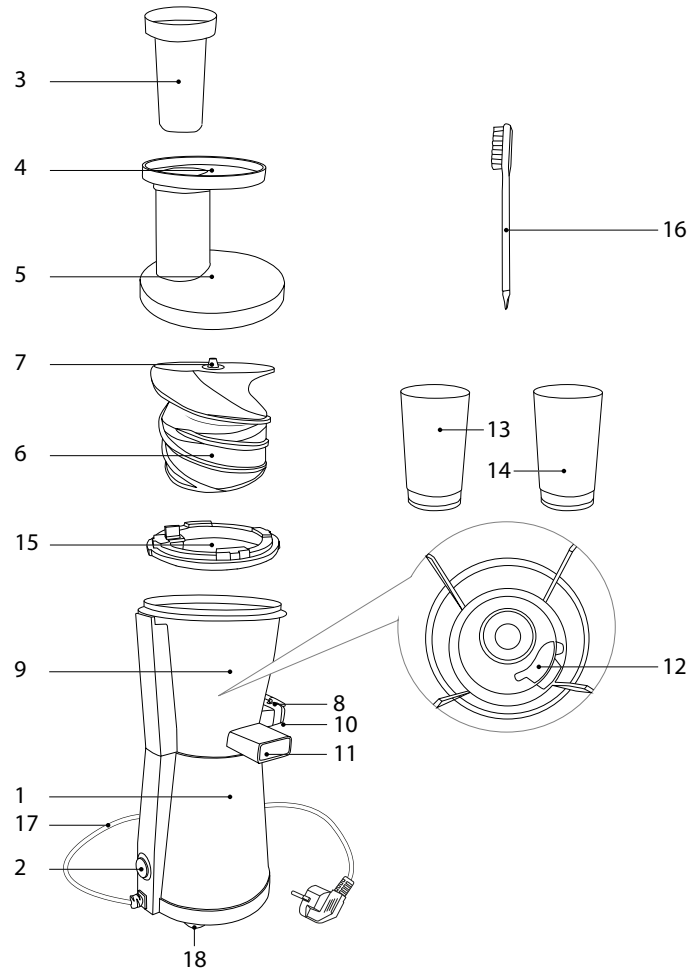
REDMOND

Slow juicer
RJ-914S

User manual

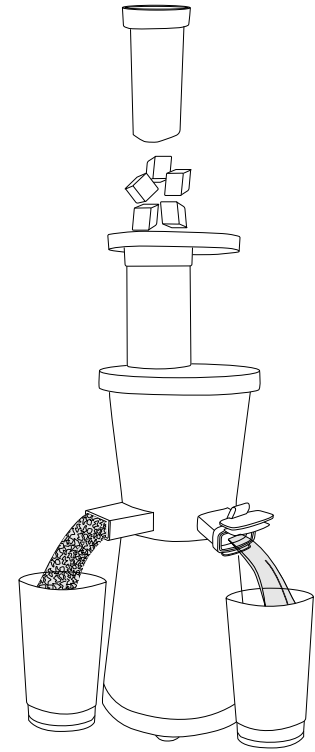
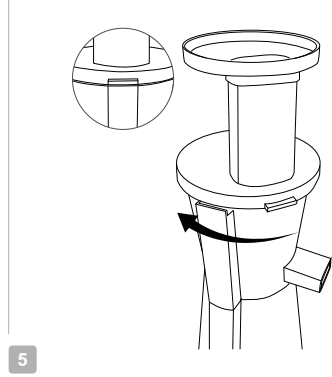
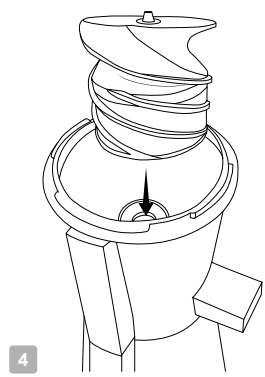
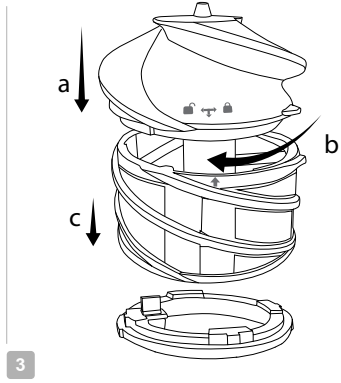
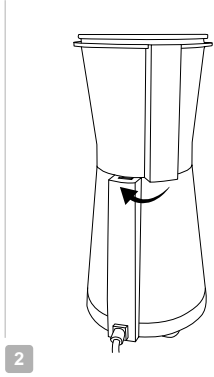
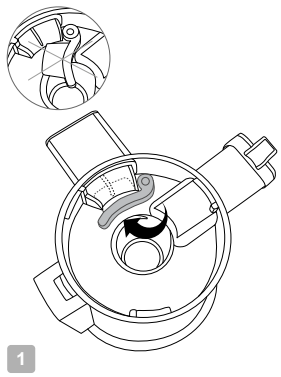


A1



A2

A3





Carefully read all instructions before operating the device and save them for future reference. By carefully following these instructions you can considerably prolong the service life of your appliance.

The safety measures and instructions contained in this manual do not cover all possible situations that may arise during the operation of the appliance. When operating the device the user should be guided by common sense, be cautious and attentive.

IMPORTANT SAFEGUARDS

- Manufacturer is not liable for injuries caused by failure to comply with the safety requirements and operation rules of the appliance.
- This appliance is intended to be used for nonindustrial use in household and similar spheres of application. Industrial application or any other misuse will be regarded as violation of proper service conditions. Should this happen, manufacturer is not responsible for possible consequences.
- Before plugging in the appliance ensure that the circuit voltage matches operating voltage of the appliance (see technical specifications or manufacturer's plate on the appliance).
- Use an extension cord designed for power consumption of the appliance as the parameter mismatch may result in a short circuit or fire outbreak.
- The appliance must be grounded. Connect the appliance only to a properly installed power point. Failure to do so may result in the risk of electrical shock. Use only grounded extension cords.
- Unplug the appliance after use, while cleaning or moving. Remove the power cord with dry hands holding it by the plug, not cord.
- Do not place the cord in doorframes or by heat sources. Do not twist or bend the power cord, ensure it is not in contact with sharp objects, corners and edges of furniture.



Accidental damage to the power cord may cause electric shock or breakdown not covered by the terms of warranty. Promptly contact the service centre to have the damaged power cord replaced. Do not place the appliance on soft, unstable surface.

- Never place the device on soft surfaces to keep ventilation slots clear of any obstruction.
- Do not operate the appliance outdoors, to prevent water or any foreign object or an insect from getting into the device. Doing so may result in a serious damage of the appliance.
- Do not use a disassembled juicer. The lid should be firmly secured with locks. Otherwise the juicer will not switch on.
- Do not put too much food into the feeding tube. Do not apply excessive force.
- **STOP** *ATTENTION! Do not touch the rotating parts of the device! Wait for the rotation to stop completely. Do not allow foreign objects into the hole for ingredients. Be careful when using. Do not push food into the feeding tube port with fingers or foreign objects as this can cause injuries or breakdown. Use pushers that come with the appliance.*
- Before cleaning the appliance ensure that it is unplugged and has cooled down, rotation has stopped. Keep the device clean. While cleaning you are advised to follow the instructions of the "Cleaning and maintenance" section of this user manual.
- **STOP** *DO NOT immerse the appliance in water or keep in running water!*
- This appliance can be used by children aged from 8 years and above and persons with reduced physical, sensory or mental capabilities or lack of experience and knowledge if they have been given supervision or instruction concerning use of the appliance in a safe way and understand the hazards involved. Children shall not play with the appliance. Keep the appliance and its cord out of reach of children aged less than 8 years. Cleaning and user maintenance shall not be made by children without supervision.
- Keep packaging (film, foam plastic and other) out of reach of children as they may choke on them.

- Do not repair the appliance or make changes to its design. All service and repair works should be performed in an authorized service centre. Unprofessional repairs may result in breakdown, injury or damage to property.



CAUTION! Do not use the appliance in case any breakdown has been noticed.

Specification

Model.....	RJ-914S
Type.....	screw
Rated power.....	200 W
Max. power.....	400 W
Voltage.....	220-240 V, 50/60 Hz
Protection against electric shock.....	class I
Motor type.....	DC
Housing material.....	plastic
Screen type filter.....	stainless steel
Screw rotation speed.....	55 rpm/min
Noise level.....	64 dB
Feeding tube diameter.....	35 × 45 mm
Separator bowl volume.....	0.3 L
Pulp cup volume.....	0.6 L
Juice cup volume.....	0.6 L
Overheating/overload protection.....	available
Protection mechanism to prevent switching the device if incorrectly assembled.....	available
Reverse function.....	available
Cleaning brush.....	available
Suction cups.....	available
Dimensions.....	155 × 145 × 390 mm
Net weight.....	3.3 kg
Power cord length.....	1.2 m

Delivery package

Slow juicer.....	1 wt.
Juice cup.....	1 wt.
Pulp collecting cup.....	1 wt.
Cleaning brush.....	1 wt.
Recipe book.....	1 wt.
User manual.....	1 wt.
Service book.....	1 wt.

The manufacturer has the right to make changes in the design, configuration, as well as in the specification of the product in the course of improving its products without further notice of these changes. The specification allows an error of ±10%.

Parts list (scheme A1, p. 2)

1. Appliance housing
2. Mode switch
3. Pusher
4. Loading tray with hole for placing ingredients inside
5. Lid
6. Screw with screen type filter
7. Screw base
8. Cap
9. Bowl
10. Juice outlet
11. Pulp outlet
12. Plug
13. Juice cup
14. Pulp collecting cup
15. Sealing ring
16. Cleaning brush
17. Power cord
18. Suction cups

I. PRIOR TO THE FIRST USE

Carefully remove the unit and its accessories from the packaging. Dispose of all packaging materials and promotional stickers.



Keep all warning labels, warning stickers (if any), and the serial number identification label located on the housing.

After transportation or storage at low temperature allow the appliance to stay at room temperature for at least 2 hours before use.

Uncoil the power cord. Wipe the housing with a damp cloth. Wash the parts with soapy water, let them dry at room temperature and natural ventilation before plugging-in.


II. OPERATION

See the order of assembling the appliance on A2 and scheme (p. 3).




Before use ensure that the plug is installed in pulp outlet!


Juice preparation

 **ATTENTION!** The device must not be operated continuously for more than 20 minutes. A break before the reprocessing should not be less than 5 minutes.

1. Wash fruits and vegetables before juicing, cut the largest ones that do not fit into the food supply chamber. When squeezing juice from plums, peaches and other fruits with large seeds, remove the seeds first to avoid damage to the separator. Remove any thick or tough skins from fruits (kiwifruit, mango, etc.) before juicing.
2. Place the appliance on flat solid horizontal surface, the device has suction cups for stability. Make sure the device is assembled correctly (see fig. A2 p. 3) and disconnected from the power supply, ensure the switch is set to "0", and the food supply chamber is empty.
3. Place the juice and pulp cups under the outlets of the device.
4. Refer to scheme A3 (p. 3) to use the appliance.

 **ATTENTION!** Load products into the juicer only while the motor is spinning. Do not push food into the feeding tube port with fingers or foreign objects as this can cause injuries or breakdown. Do not allow foreign objects into the food supply chamber.

Do not press too hard on the pusher. This may affect the quality of the juice and lead to the separator not working or damage components of the device.


 To improve the productivity and prolong service life it is recommended while using the juicer, switch the appliance occasionally to clean and wash the filter. We recommend that you do it after you have processed 1.5–2 kg fruit or vegetables. You might need to clean and wash the filter more often while processing berries (grapes, currants, gooseberries). Pressing juice from these products may require more frequent cleaning of the juicer and separator.

Soft varieties of apples and pears are not intended to produce juice. When pressed, they produce a large quantity of waste which may clog the separator. If disruption occurs while the juicer is running, then pulp should be cleaned from the working chamber more often.

Reverse function

Use the reverse function if liquid accumulates inside the cutting unit or the juicer unit and output product's solid mass prevents it from flowing.

Before using the reverse function, turn the switch to "0" and wait for the motor to stop completely. After this, turn the switch to "II". The screw will turn backwards moving the foods towards the feed chute port. After 10–15 seconds, let the switch go and it will return to "0". Turn the switch to "I" to make the device continue working.

 **DO NOT** change the machine from press to reverse mode without waiting for the motor to stop. This may cause the device to not work correctly or break down.

Protection systems

- The device is equipped with protection against switching on in case of incorrect assembly. If the separator bowl or device lid is not installed or installed incorrectly, then the device will not switch on.
- The device is equipped with a system to protect the motor from overheating. If the temperature is too high, the device will switch off automatically. In this case, the juicer must be switched off by turning the speed switch to "0" and disconnecting the device from the power supply. The motor will have cooled down after 20–30 minutes and you may continue using the device, but with shorter periods of continuous use and increasing the intervals between use.
- The device is equipped with a system to protect the motor from blockages. If the motor is blocked, the power automatically switches off. In this case, the juicer must be switched off by turning the speed switch to "0" and disconnecting the device from the power supply and clean the blades. After this you may continue use.
- The device is equipped with a system to protect the motor from the reverse function being activated incorrectly or accidentally. If the reverse function is switched on before the motor has completely stopped, the power will switch off automatically. In this case, the juicer must be switched off by turning the speed switch to "0" and disconnecting the device from the power supply. After a few seconds the device can be plugged in and switched on to continue work.

Manufacturer's warning!

To improve the productivity and prolong service life it is recommended:

- To ensure that the separator bowl isn't filled above the MAX mark;
- to cut firm products, as carrots, beets, radish into 1.5 cm pieces;
- To gradually put the precut vegetables, fruit or berries into the feed chute and slightly press;
- Not to press the push bar too much to avoid quality degradation of juice and the auger rotation stopping;
- To remove stones from fruit and berries to avoid auger and filter breakage;
- To preliminarily defrost food.

Recommended methods for slicing fruit and vegetables

Product type	Slicing type	Slicing method
Apples	wedges	Cut the apples into 4–5 wedges and remove seeds and core
Pears	wedges	Cut the pears into 4 wedges and remove seeds and core
Carrots	slices	Peel the carrots and cut into slices
Beet	wedges	Peel the beet and cut into 4–5 cm wedges
Radish	wedges	Peel the radish and cut into 5 cm wedges
Pineapple	wedges	Peel the pineapple and cut into 4–5 cm wedges

STOP **WARNING!** This device is **NOT INTENDED** for getting juice from beans, nuts, stones from vegetable/fruit and frozen products!

III. CLEANING AND MAINTENANCE

Before you start cleaning the appliance, make sure that it is unplugged and has completely cooled down. Clean the device after each use.

Wipe the housing of the appliance with a damp cloth, wash the detachable parts with soapy water after use.

STOP **DO NOT immerse the appliance and power cord in water or wash under running water!**

DO NOT use a sponge or tissue with hard or abrasive surface or abrasive pastes. Do not use any chemically aggressive substances or any other agents that are not recommended for cleaning items that contact food.

When cleaning the separator bowls, remove the plug to clean the juice outlet.

! **Be careful when cleaning the silicone parts of the device. If they are lost or deformed it may lead to malfunction.**

Use the brush included with the kit to clean the mesh filter. If necessary, place the blades in hot soapy water for 10 minutes. Dry all the parts before putting them back into the device.

Storage and transportation

Before repeated operation or storage completely dry all parts of the appliance. Store the assembled appliance in a dry, ventilated place away from heating appliances and direct sunlight. During transportation and storage, do not expose the device to mechanical stress, that may lead to damage of the device and/or violation of the package integrity.

Keep the device package away from water and other liquids.

IV. BEFORE CONTACTING THE SERVICE CENTER

Problem	Possible cause	Solution
The appliance does not turn on	Appliance is not plugged in	Connect the appliance to a properly working electrical socket
	Electrical socket is not powered	
	Separator bowl incorrectly installed on the motor unit	Check the way you have assembled the appliance
Lid is not closed properly		
The motor stopped during operation	Overload/overheating protection tripped	Follow the instructions in the "Protection systems" section
	Protection against accidental or incorrect activation of the reverse function has been activated	

Problem	Possible cause	Solution
Pulp gets stuck on the filter or gets through with a lot of moist	The filter was not cleaned after previous use	Wash the filter, use the cleaning brush
Pulp in the juice. Juice is leaking from the separator bowl	Plug not in the juice nozzle	Put the plug in as shown in image A2 on p. 3
	Soft varieties of apples and pears are not intended to produce juice. When pressed, they produce a large quantity of waste which may clog the separator. Juicer interrupted	Do not use soft varieties of apples or pears. Clean pulp from the device more often
Juice gets out under too much pressure or leaks out of the lid	Amount of juice exceeds the outlet transfer capacity	Do not place too many pieces into the feeding tube, do not use excessive force to move the pusher
An off-odour appeared during operation	Appliance is new, the smell is coming from protective cover	The smell will disappear after few uses

i **In case you didn't manage to eliminate the defects, please, refer to the authorized service centre.**



Environmentally friendly disposal (WEEE)

The packaging, user manual and the device itself shall be taken to the applicable collection point for the recycling of electrical and electronic equipment. Do not throw away the electronic waste to help protect the environment.

Old appliances must not be disposed with other household waste but must be collected separately. Municipal disposal of recyclable wastes is free of charge. The owners of old appliances are required to bring it to a waste facility centre. With this little extra effort, you can help to ensure that valuable raw materials are recycled and pollutants are treated as appropriate.

This appliance is labelled in accordance with European Directive 2012/19/EU – concerning used electrical and electronic appliances (waste electrical and electronic equipment WEEE).

The guideline determines the framework for the return and recycling of used appliances as applicable throughout the EU.

Manufacturer: "Power Point Inc Limited" №1202 Hai Yun Ge (B1) Lin Hai Shan Zhuang Xiameilin Futian Shenzhen China 518049 Under license of REDMOND®

Importer (EU): SIA "SPILVA TRADING" Address: Jelgava, Meiju cels 43 - 62, LV-3007 Reg. Nr. 43603078598.

Importer Cyprus (CY): ASBIS Kypros Limited; 26, Spyrou Kyprianou Str, 4040, Germa-sogeia, Limassol, Cyprus. Tel: +357 25 257 350; Fax: +357 25 322 432, e-mail: info@asbis.com.cy; www.asbis.com.cy

www.redmond.company
www.multivarka.pro
www.store.redmond.company
www.smartredmond.com
Made in China

RJ-914S-GBR-UM