

# REDMOND

Meat Grinder  
RMG-1237



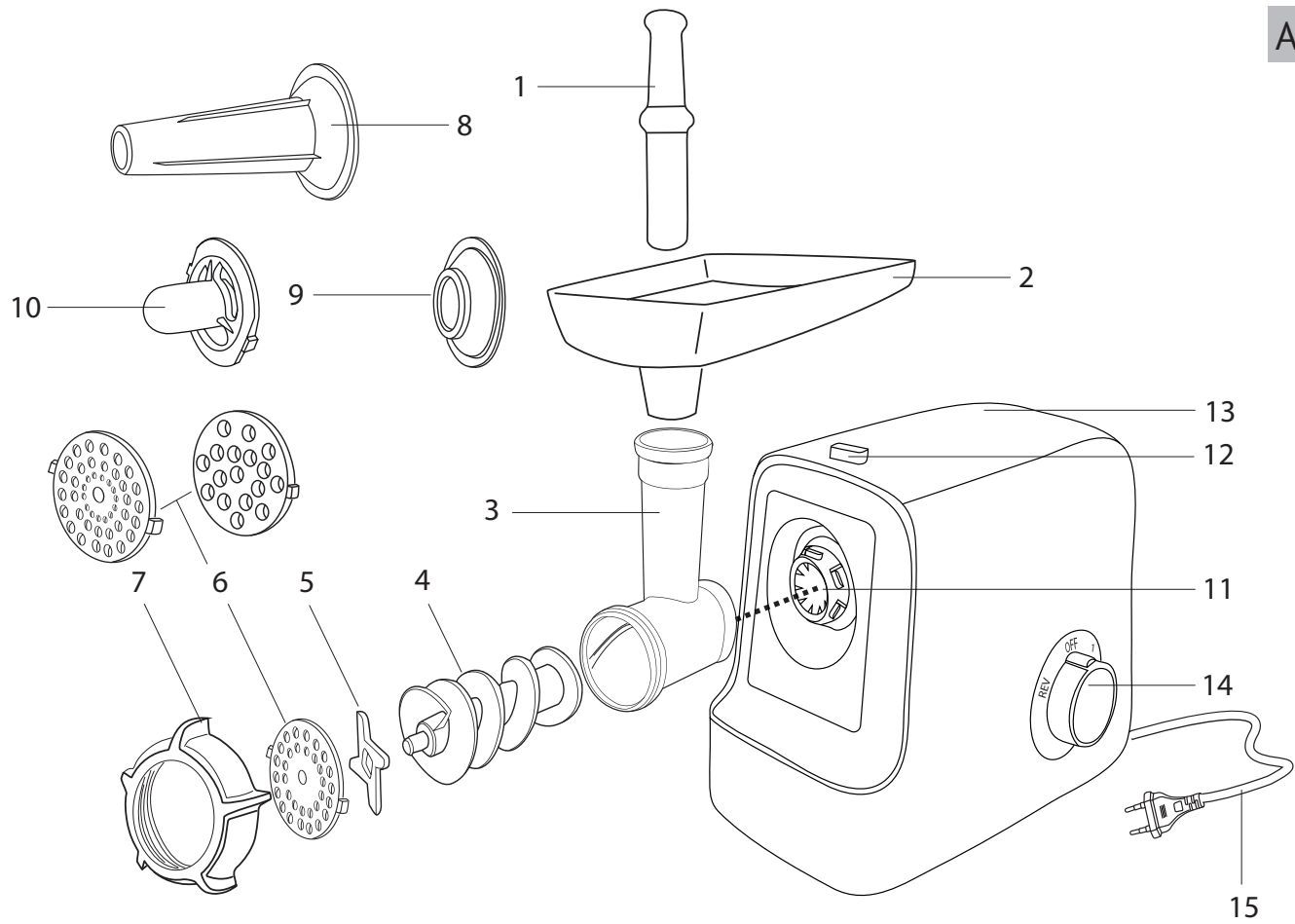
User manual

Manufacturer: "Power Point Inc Limited" №1202 Hai Yun Ge (B1) Lin Hai Shan Zhuang Xia-meilin Futian Shenzhen, China. 518049. Under license of REDMOND®  
 Изготовитель: «Пауэр Пойнт Инк. Лимитед» №1202 Хай Юн Гэ (B1) Лин Хай Шан Чжуан Сямейлин Футьян, Шеньжень, Китай, 518049. По лицензии REDMOND®  
 Виробник: «Пауер Пойнт Інк. Лімітед» № 1202 Хай Юн Ге (B1) Лін Хай Шан Чжуан Сямейлін Футьян, Шеньжень, Китай, 518049. За ліцензією REDMOND®

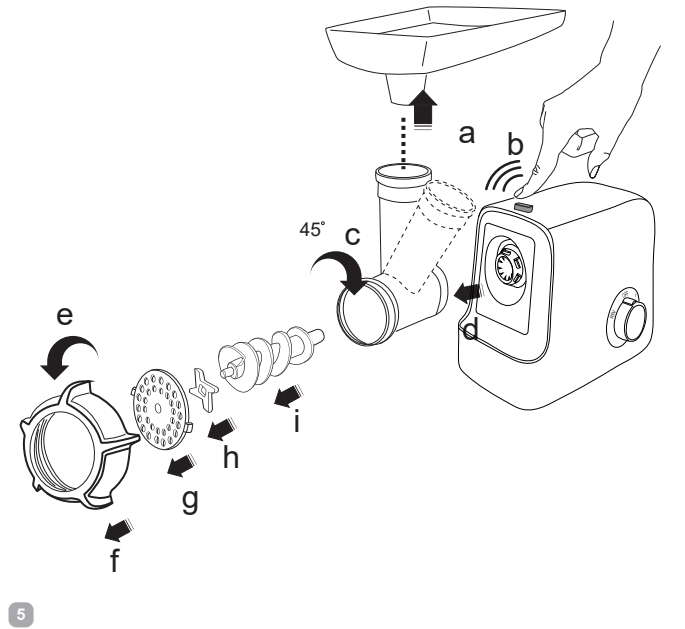
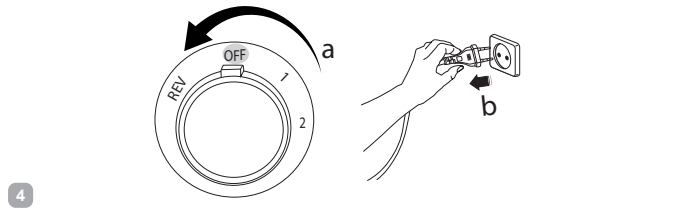
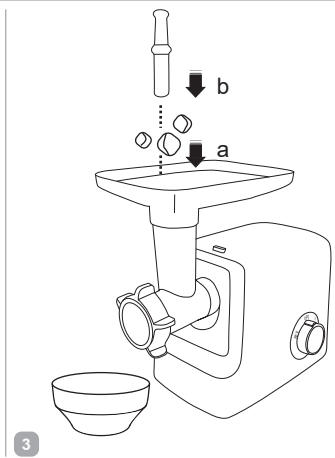
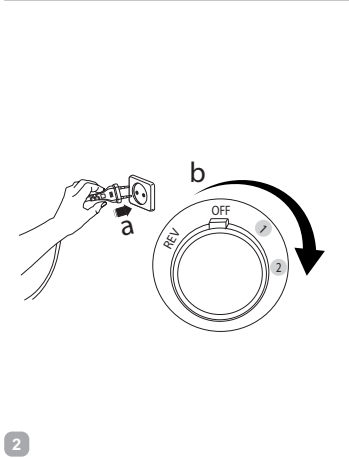
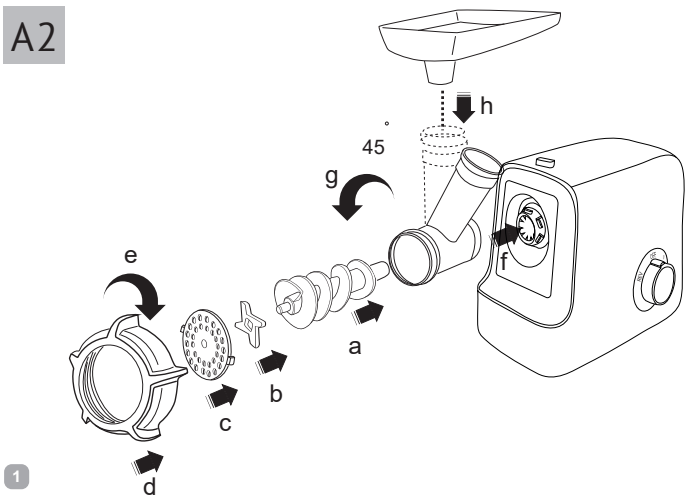
**Importer (EU):** SIA "SPILVA TRADING" Address: Jelgava, Meiju cels 43 – 62, LV-3007 Reg. Nr. 45603078598. **BA** Uvoznik i distributer za Bosnu i Hercegovinu: ASBIS d.o.o., Džemala Bijedića 162, 71 000, Sarajevo, Bosna i Hercegovina. Tel: +387 33 770 200, e-mail: prodaja@asbis.ba, www.asbis.ba. **BG** Вносител: АСБИС България ЕООД И.Н.: BG121655056 Адрес: София, бул. Искърско шосе 7, ТЦ Европа, сгр. 3. Тел.: 02/4284111, www.asbis.bg. **CZ** Dovožce: ASBIS CZ spol. s r.o. Obchodní 103, 251 01 Cestlice, Praha – vychod, Praha, Czech Republic. Tel: +420 272 117 111, www.asbis.cz. **HU** Importőr: ASBIS Magyarorszag Kft., H-1135, Budapest, Reitter Ferenc utca 46-48. Tel.: +36 1 236-1000, Fax: +36 1 236-1010, www.asbis.hu. **PL** ASBIS POLAND SP Z O.O., Ul. Krasnowolska 17 A, 02-849, Warszawa. Tel +48 22 33 71 510, www.asbis.pl. **RO** Importator: ASBIS Romania SRL, Splaiul Independentei 319, SEMA PARC, Obiectiv 5, Etaj 2, Sector 6, Bucuresti, 062650, Romania. Tel. +40 21 337 1099, www.asbis.ro. **RU** Импортёр в России: ООО «ИЛОТ», 198099, г. Санкт-Петербург, ул. Промышленная., д. 38, к. 2, лит. А, тел.: +7(812) 740-16-30. **SK** Importér/distribútor pre SR: ASBIS SK spol. s r.o., Tuňovská 33, 831 06, Bratislava. Tel: +440-2-32165111, www.online.asbis.sk. **RS** Uvoznik i servis za Republiku Srbiju: ASBIS d.o.o., Cara Dušana 205A, 11080 Zemun, Beograd. Tel: +381 11 310 77 00, www.asbis.rs. **LV** Izplatītājs: SIA „ASBIS BALTICS”, Latvia, Rīga, Bauskas iela 58A-15, LV-1004. Tel.: +371 66047820, e-mail: sales@asbis.lv, www.asbis.lv. **UA** Імпортер в Україні: ТОВ ПІІ «АСБІС-УКРАЇНА», 03061, м. Київ, вул. Газова, будинок 30. Тел. +38 044 455 44 11, www.asbis.ua. **SI** Distributer, dajalec garancije in servis za Slovenijo, Asbis d.o.o., Brodišče 15, 1236 Trzin. Tel: + 386 (0) 590 79 927; e-mail: infosales@asbis.si; www.asbis.si. **HR** ASBIS-CR d.o.o.; Slavonska avenija, 24/6 -1 kat; 10000, Zagreb, Croatia; Tel: + 385 1 600 9900, e-mail: prodaja@asbis.hr; www.asbis.hr. **EE** Maaletooja: SIA „ASBIS BALTICS”, Turi 10c, 11313, Tallinn, Estonia; Tel.: + 372 66047815, e-mail: sales@asbis.ee; www.asbis.ee. **LT** Importuotojas: SIA „ASBIS BALTICS”, Ateities g. 25B, 06326, Vilnius, Lietuva; Tel.: +370 66047814, e-mail: sales@asbis.lt; www.asbis.lt. **CY** Importer Cyprus: ASBIS Kypros Limited; 26, Spyrou Kyprianou Str, 4040, Germasogeia, Limassol, Cyprus. Tel: +357 25 257 350; Fax: +357 25 322 432, e-mail: info@asbis.com.cy; www.asbis.com.cy

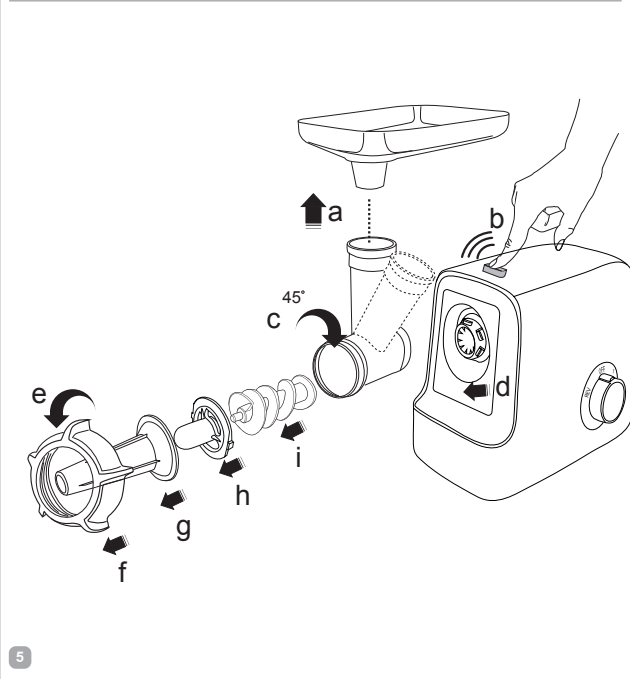
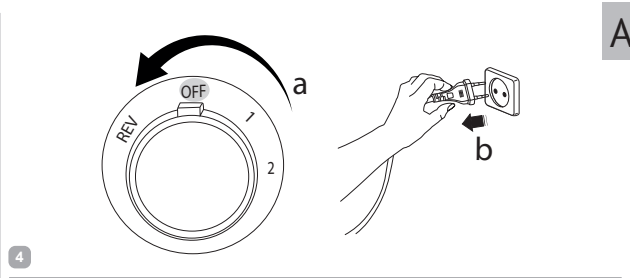
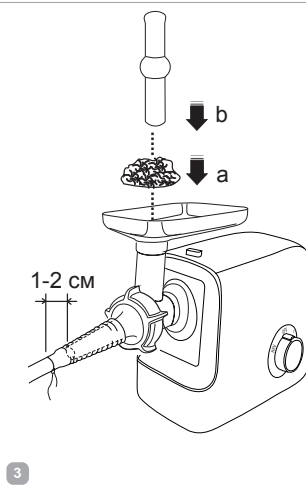
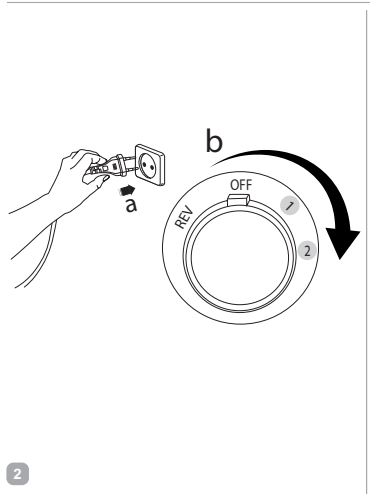
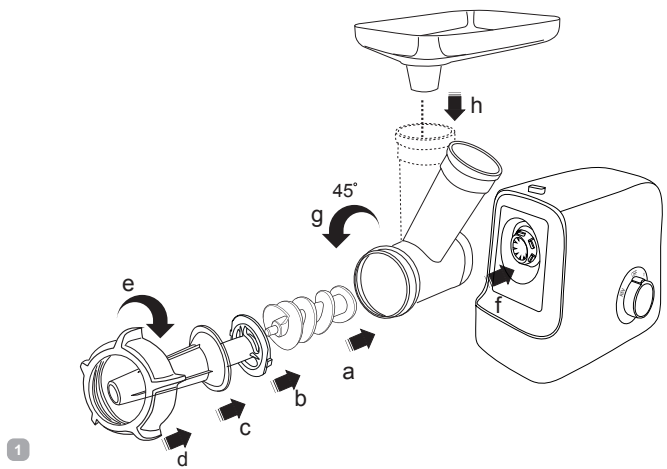
## CONTENTS

IMPORTANT SAFEGUARDS.....	8
Technical Specifications .....	9
Package Includes .....	9
Meat grinder parts.....	9
I. PRIOR TO FIRST USE .....	10
II. OPERATION.....	10
Use of Reverse Function .....	10
Protection system against overload and overheat .....	10
III. CLEANING AND MAINTENANCE .....	10
Storage and transportation .....	11
IV. BEFORE CONTACTING SERVICE CENTER.....	11

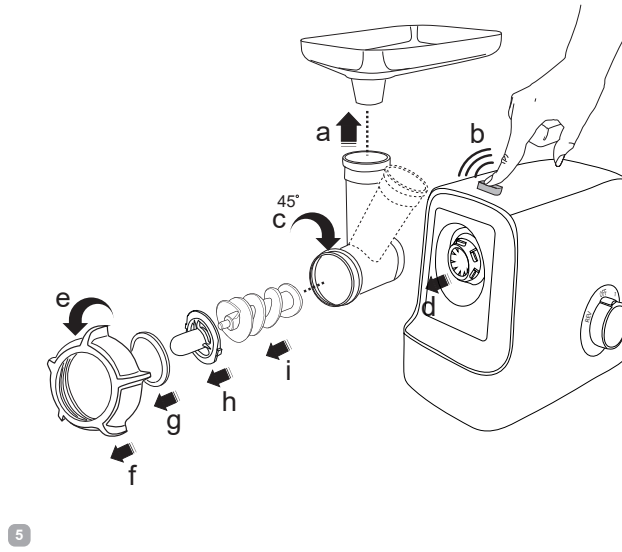
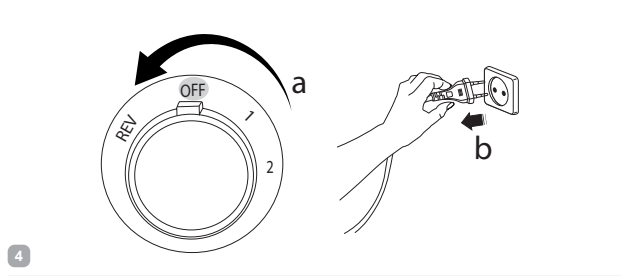
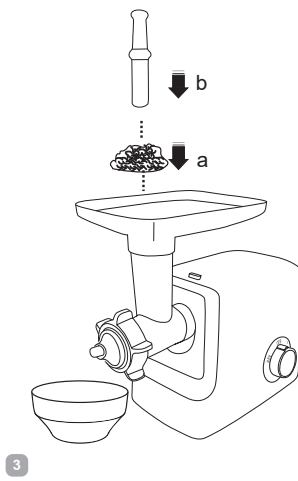
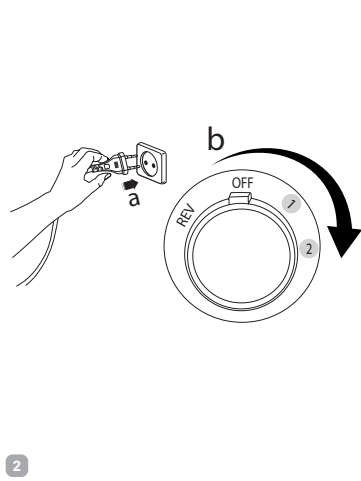
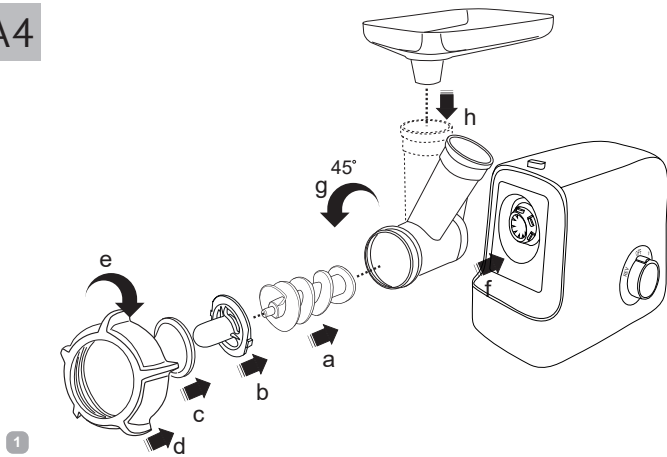




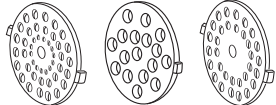
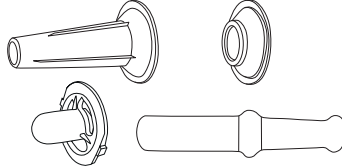
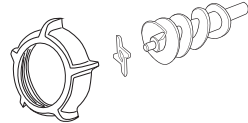

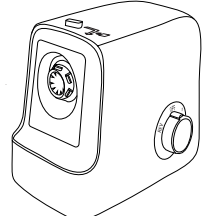
A2






A4




		 MAX 60°C	
	✓	✗	✓
	✓	✓	✓
	✓	✗	✓
	✓	✗	✓
	✗	✗	✓

 Read the user manual carefully and keep it as a reference book. Proper use of the appliance will significantly prolong its life.


The safety measures and instructions contained in this manual do not cover all possible situations that may arise during the operation of the appliance. When operating the device the user should be guided by common sense, be cautious and attentive.

## IMPORTANT SAFEGUARDS


- The manufacturer is not responsible for any failures arising from the use of this product in a manner inconsistent with the technical or safety standards.
- This appliance is intended to be used for nonindustrial use in household and similar spheres of application. Industrial application or any other misuse will be regarded as violation of proper service conditions. Should this happen, manufacturer is not responsible for possible consequences.
- Before installing the appliance, check that the device voltage corresponds with the supply voltage in your home (refer to rating plate or technical data).
- While using the extension cord, make sure that its voltage is the same as specified on the device. Using different voltage may result in a fire or other accident, causing appliance damage or short circuit.
- Always unplug the device after use, before cleaning or moving. Never handle the plug with wet hands. Do not pull the power cord to disconnect from the outlet; instead, grasp the plug and pull to disconnect.
- While using the extension cord, make sure that its voltage is the same as specified on the device. Using different voltage may result in a fire or another accident, causing appliance damage or short circuit.

 **REMEMBER:** *damaged cord may cause a shock, fire, or lead to a failure that will not be covered by the warranty. If the cable is damaged or requires replacing, contact an authorized service centre only to avoid all risks.*

- Do not place the appliance on soft, unstable surface or cover it with a cloth while in operation as it may cause overheating or breakdown.
- Do not use the appliance outdoors as ingress of moisture or foreign objects inside the housing may result in damage.

 **CAUTION!** *Do not touch the rotating parts of the appliance! Wait for the rotation to stop completely. Do not put foreign objects into the hole for ingredients. Be careful when using.*

- Do not push food into the feed chute port with fingers or foreign objects as this may cause injuries or breakdown. Use pushers that come with the appliance.
- Do not use the appliance with visible damages of the housing or power cord, after the fall of the appliance or if there any faults detected. If any faults occur, unplug the appliance and contact the service centre.
- Before cleaning the appliance ensure that it is unplugged and has cooled down. While cleaning you are advised to follow the instructions of the "Cleaning and maintenance" section of this user manual.

 **DO NOT immerse the device in water or wash it under running water!**

- This appliance can be used by children aged from 8 years and above and persons with reduced physical, sensory or mental capabilities or lack of experience and knowledge if they have been given supervision or instruction concerning use of the appliance in a safe way and understand the hazards involved. Children shall not play with the appliance. Keep the appliance and its cord out of reach of children aged less than 8 years. Cleaning and user maintenance shall not be made by children without supervision.
- Keep the packaging (film, foam plastic and other) out of reach of children as they may choke on them.



- No modifications or adjustments to the product are allowed. All the repairs should be carried out by an authorized service center. Failure to do so may result in device and property damage or injury.



**CAUTION!** Do not use the appliance in case of any malfunctions.

### Technical Specifications

Model.....	RMG-1237
Voltage.....	220–240 V, 50/60 Hz
Rated power.....	800 W
Maximum motor power.....	2100 W
Electrical safety.....	Class II
Productivity.....	up to 2 kg/min
Number of speeds.....	2
Screw rotation:	
Speed 1.....	205 rpm
Speed 2.....	240 rpm
Reverse function.....	available
Overheat protection.....	available
Overload protection.....	available
Quantity of perforated disks for different stuffing.....	3
Sausage attachment.....	available
Kibbeh attachment.....	available
Rubberized legs.....	available
Maximum tableware height.....	120 mm
Overall dimensions.....	323 × 302 × 160 mm
Net weight.....	3.5 kg
Power cord length.....	1 m

### Package Includes

Motor unit.....	1 pc.
Screw.....	1 pc.
Blade.....	1 pc.
Meat grinder fixing ring.....	1 pc.
Perforated disks with holes of different diameter.....	3 pc.
Pusher.....	1 pc.
Kibbeh and sausage attachment base.....	1 pc.
Forming part of kibbeh attachment.....	1 pc.
Forming part of sausage attachment.....	1 pc.
User manual.....	1 pc.
Service booklet.....	1 pc.

Manufacturer reserves the right to make any modifications to design, packaging, or technical specifications of the product without prior notice. The specification allows an error of ±10%.


### Meat grinder parts (scheme A1, p. 3)

1. Pusher
2. Loading tray
3. Meat grinder unit

4. Screw
5. Blade
6. Perforated disks with holes of different diameter (3 mm, 5 mm, 7 mm)
7. Meat grinder fixing ring
8. Forming part of sausage attachment
9. Forming part of kibbeh attachment
10. Kibbeh and sausage attachment base
11. Drive shaft clutch
12. Meat grinder unit fixing lever
13. Motor unit
14. Operation mode switch
15. Power cord

## I. PRIOR TO FIRST USE

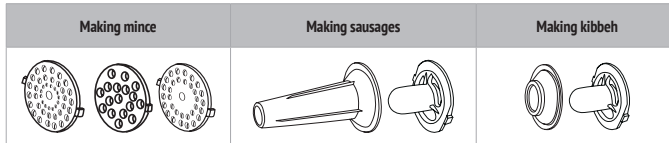
Carefully remove the unit and its accessories from the packaging. Dispose of all packaging materials and promotional stickers.

-  *Keep all warning labels, warning stickers (if any), and the serial number identification label located on the housing.*  
*After transportation or storage at low temperatures allow the appliance to stay at room temperature for at least 2 hours before use.*

Wipe the motor unit with a moist cloth. Wash all removable parts, strictly following the instructions in "Cleaning and maintenance". All the removable parts should completely dry at room temperature before the assemblage. Ensure that outer and inner visible parts of the grinder do not have faults, splits and other defects.

## II. OPERATION

The meat grinder REDMOND RMG-1237 is a multifunctional appliance for food processing.




See the appliance usage procedure on the corresponding schemes:

- making mince – scheme **A2** (p. 4);
- making sausages – scheme **A3** (p. 5);
- making kibbeh – scheme **A4** (p. 6).

-  **CAUTION!** When assembling, install the knife with the cutting edges facing out. Incorrect installation of the knife may damage the appliance.

*Do not put bones, skin, frozen or coarsely cut meat into the meat grinder. This will shorten the appliance service life and may result in damage that will not be covered by the warranty under these circumstances.*

**CAUTION!** The operation time should not exceed 5 minutes. A break should not be less than 15 minutes.

-  **Speed 1** is recommended for processing vegetables and fruits, chicken and pork fillets. **Speed 2** is recommended for grinding beef, lamb, extra dense vegetables (carrots, celery) and meats with little content of strings.

### Use of Reverse Function

Use the reverse function in case you see there is much juice left in the cutting block or squeezer unit and a dense cake of food has blocked the outlet port.

If the meat grinder is running, turn the mode switch to OFF position, wait for the screw to stop completely. Then turn and hold the mode switch to the REV position. The screw will turn backwards moving the foods towards the feed chute port. After 10–15 seconds, turn the switch back to the OFF position, wait for the screw to stop completely, then set the switch to position 1 or 2 to continue operating.

### Protection system against overload and overheat

The appliance is equipped with an automatic shutdown system in case of overload and overheating (e. g. if the bone gets into the grinder unit together with meat). If the motor stops unexpectedly during operation, turn the operation mode switch into OFF, unplug the appliance and allow it to cool for 30 minutes. Clean the loading tray from remnants. After it the appliance will be ready for use. If the meat grinder still doesn't work, apply to the service center.

## III. CLEANING AND MAINTENANCE

Refer to schemes **A2–A4** (p. 4–6) for disassembling procedure the device.

Refer to scheme **A5** (p. 7) for recommended cleaning methods for the various parts of the appliance.

Clean the attachments and other parts after each use.

-  **CAUTION!** Before disassembling and cleaning the appliance turn the operation mode switch into OFF position and unplug the appliance.

Wipe the motor unit with a damp cloth. Clean the attachments and other parts with nonabrasive scouring substances.

-  When cleaning knife, be careful.

 **DO NOT** immerse the motor drive unit, plug and power cord in water or keep in running water.

**DO NOT** use a sponge or tissue with hard or abrasive surface or abrasive pastes. Do not use any chemically aggressive substances or any other agents that are not recommended for cleaning items that contact food.

Do not clean the metal parts of the appliance in a dishwasher as they may tarnish being affected by scouring substances. In order to avoid rust occurrence on the metal parts of the appliance, it is recommended to lubricate them with a small amount of vegetable oil after washing and wipe them dry.

Do not exceed maximum temperature of 60°C while cleaning plastic parts of the appliance in a dishwasher.

Let all parts dry at room temperature and natural ventilation.

### Storage and transportation

Before repeated operation or storage completely dry all parts of the appliance. Store the assembled appliance in a dry, ventilated place away from heating appliances and direct sunlight. During transportation and storage, do not expose the device to mechanical stress, that may lead to damage of the device and/or violation of the package integrity.

Keep the device package away from water and other liquids.

## IV. BEFORE CONTACTING SERVICE CENTER

Problem	Possible cause	Solution
The appliance does not switch on	Power cord is not connected to the appliance and (or) to the outlet	Plug in the appliance
	Faulty electrical outlet	Plug in the appliance to the working outlet
Motor unit stopped during operation	Overload and overheat protection activated	Follow the instructions in the "Protection system against overload and overheat" section. If the meat grinder still doesn't work, apply to the service center
An off-odour appeared during operation	The appliance is overheated during operation	Reduce continuous operation time, increase intervals between switching
	Some parts of the appliance have protective cover	The odour will disappear after few uses

**i** In case you didn't manage to eliminate the defects, please, refer to the authorized service centre.



### Environmentally friendly disposal (WEEE)

The packaging, user manual and the device itself shall be taken to the applicable collection point for the recycling of electrical and electronic equipment. Do not throw away the electronic waste to help protect the environment.

Old appliances must not be disposed with other household waste but must be collected separately. Municipal disposal of recyclable wastes is free of charge. The owners of old appliances are required to bring it to a waste facility centre. With this little extra effort, you can help to ensure that valuable raw materials are recycled and pollutants are treated as appropriate. This appliance is labelled in accordance with European Directive 2012/19/EU – concerning used electrical and electronic appliances (waste electrical and electronic equipment WEEE). The guideline determines the framework for the return and recycling of used appliances as applicable throughout the EU.

[www.redmond.company](http://www.redmond.company)  
[www.multivarka.pro](http://www.multivarka.pro)  
[www.store.redmond.company](http://www.store.redmond.company)  
[www.smartredmond.com](http://www.smartredmond.com)  
Made in China

RMG-1237-ENG-UM-1