

REDMOND

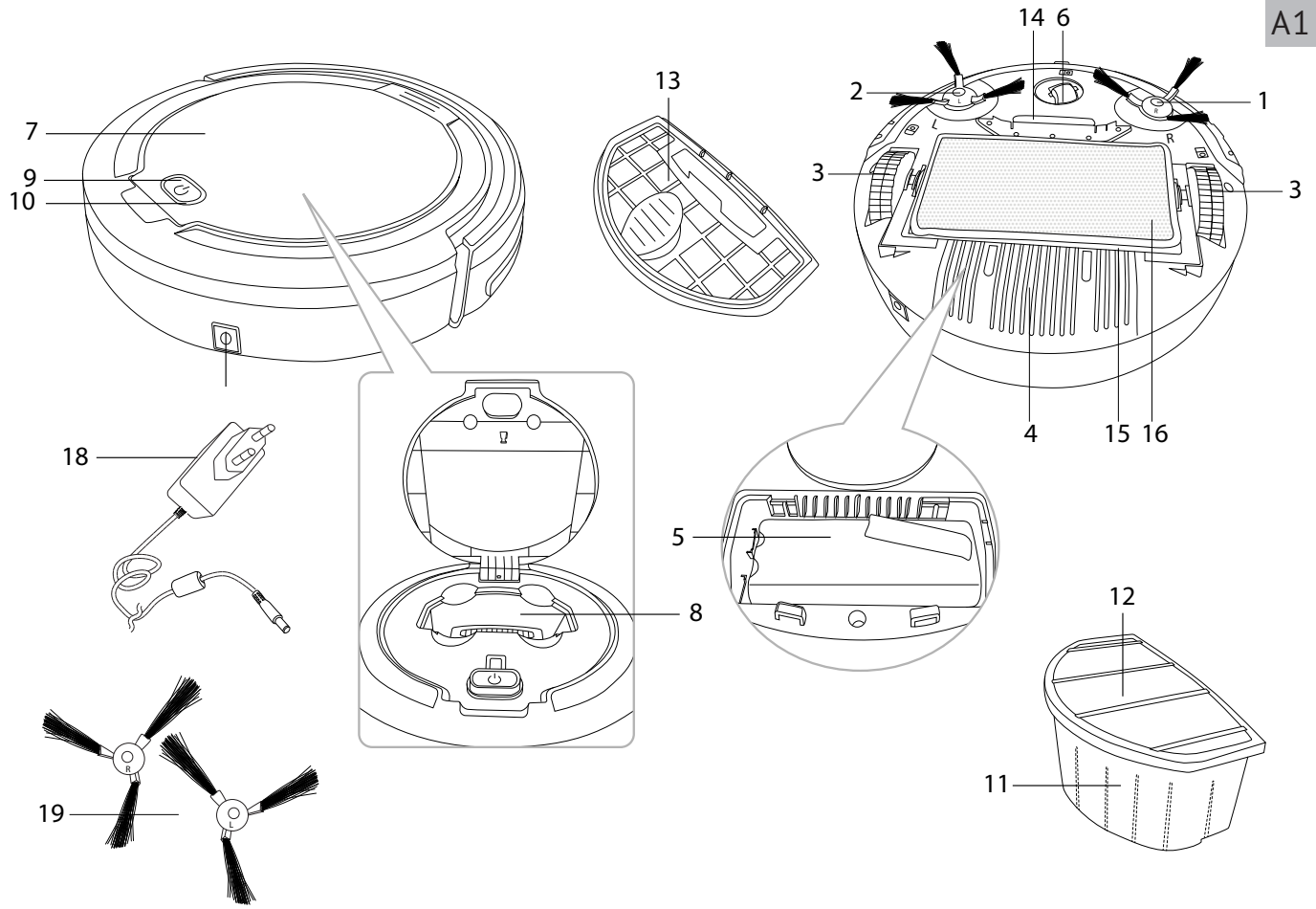
Robot Vacuum Cleaner
RV-R350



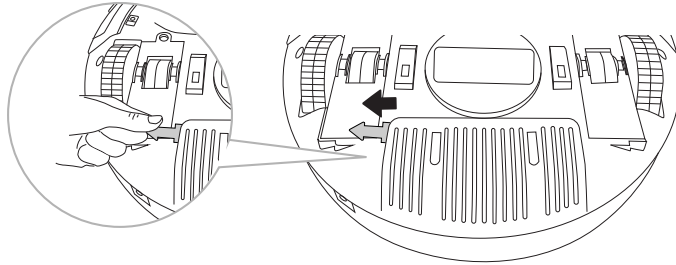
User manual

CONTENTS

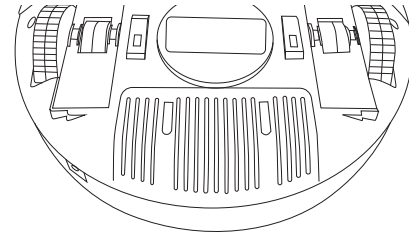
IMPORTANT SAFEGUARDS.....	7
Technical Specifications	8
Package Includes	8
Parts of Appliance.....	8
I. PRIOR TO THE FIRST USE.....	9
II. OPERATION OF THE APPLIANCE.....	9
Charging the battery.....	9
Assembly and use the appliance.....	9
III. CLEANING AND MAINTENANCE	9
Storage and transportation	10
IV. BEFORE CONTACTING A SERVICE CENTER	10



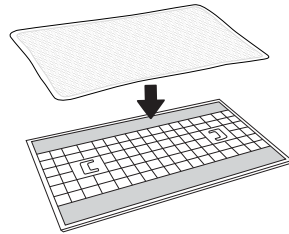
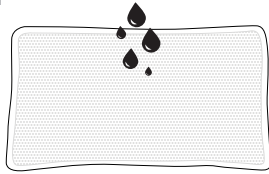
A2



2

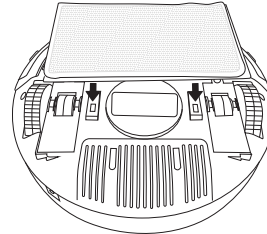


A3

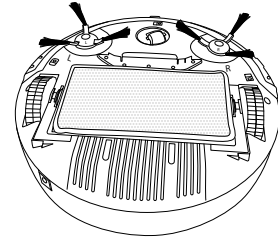


2

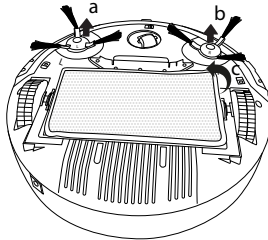
3



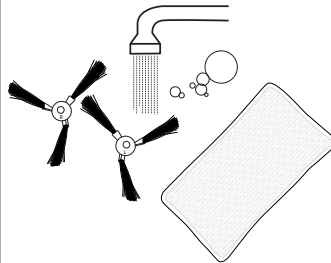
4



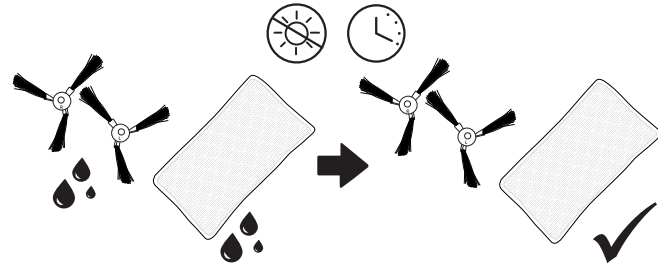
A4



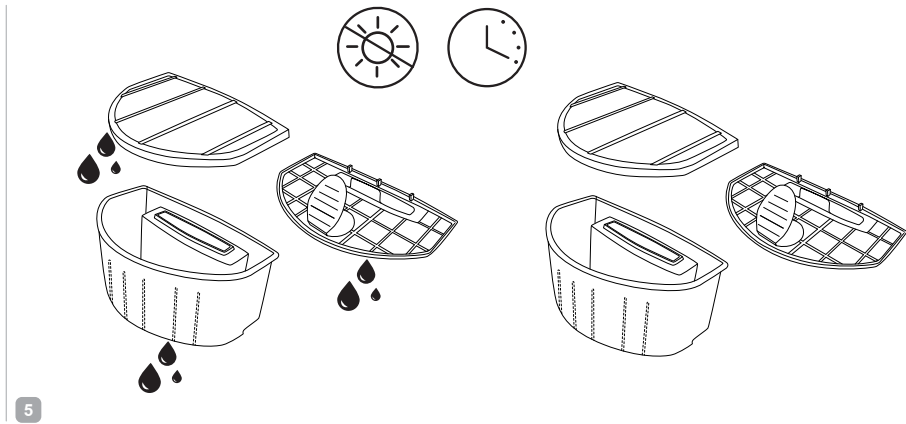
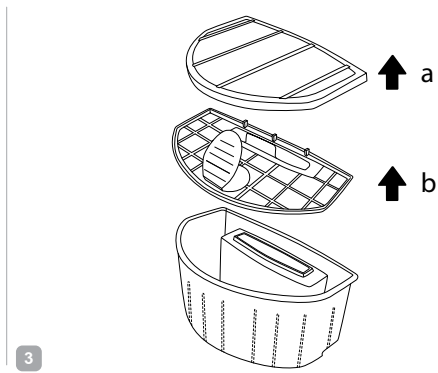
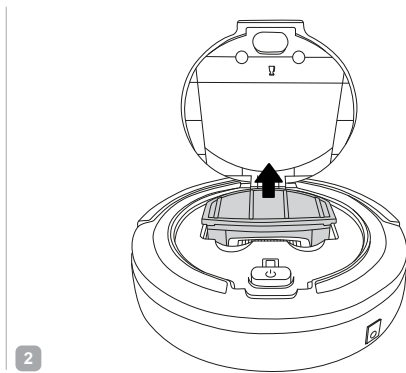
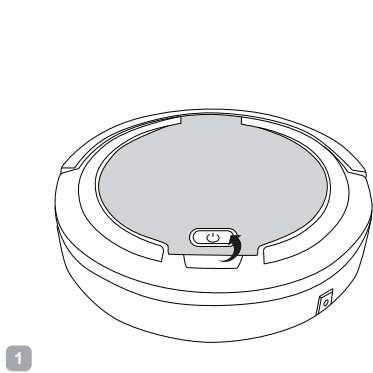
1



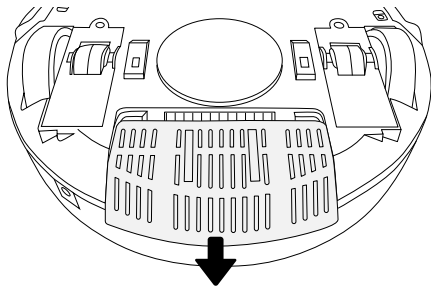
2



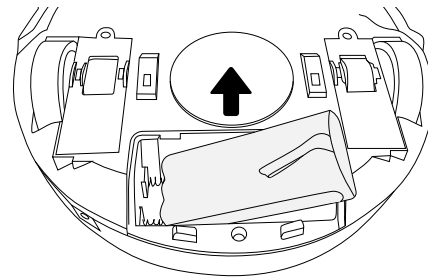
3



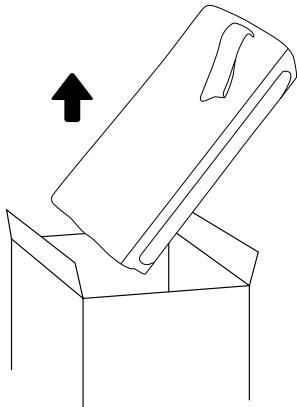
A6



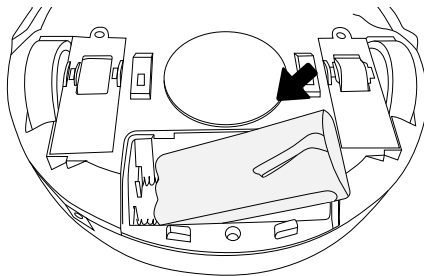
1



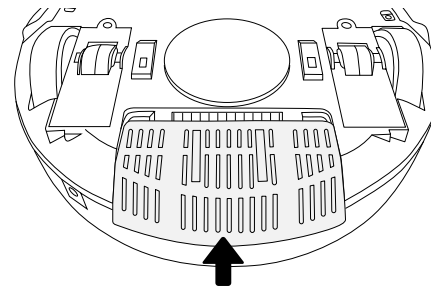
2




3



4



5

 Before using this appliance, please read the User Manual carefully and keep it as a reference. Proper use of the appliance will significantly extend its service life.



The safety precautions and instructions contained in this manual do not cover all possible situations that may arise during the operation of the appliance. When working with the appliance, the user should be guided by common sense, be careful and attentive.

IMPORTANT SAFEGUARDS

- The manufacturer is not responsible for damage caused by non-compliance with safety requirements and operating rules of the product.
- This appliance is intended for use in domestic conditions and can be used in apartments, country houses or other similar conditions of non-industrial operation. Industrial or any other misuse of the appliance will be considered as a violation of the conditions of proper use of the product. In this case, the manufacturer is not responsible for the possible consequences.
- Before connecting the appliance to the power supply, check whether its voltage is the same as the nominal voltage of the device adapter (see technical specifications or the product nameplate).
- It is allowed to use the appliance only with the adapter included in the package.
- Use an extension cord designed for the power consumption of the appliance, otherwise any mismatch of parameters can lead to a short circuit or fire of the cord.
- Unplug the appliance from the mains during cleaning. Remove the adapter with dry hands, holding it by the case, not by the wire.
- Do not extend the power cord in doorways or near heat sources. Make sure that the cord is not twisted or bent, not in contact with sharp objects, corners and edges of furniture.

 **KEEP IN MIND:** *accidental damage to the power supply cord may cause problems that do not comply with the warranty, as well as*

electric shock. If the power cord is damaged, it must be replaced by the manufacturer, service or similar qualified personnel to avoid danger.

- Before cleaning the appliance ensure that it is unplugged. Follow cleaning and general maintenance guidelines when cleaning the unit.
-  **Do NOT immerse the appliance in water or place it under a stream of water!**
- Move the device, holding it by its body with both hands.
- Do not install foreign objects in the device, do not sit or stand on the device.
-  **Protect your eyes from infrared light. Do not aim infrared light at eyes.**
- Do not allow foreign objects to enter the motor compartment of the appliance. Do not block the suction openings. Blocking the air intake may damage the motor.
- It is not allowed to operate the appliance in the following conditions:
 - In the premises and areas with high humidity. There is a danger of short circuit, motor failure.
 - Outdoors – moisture or foreign objects inside the appliance may cause serious damage to the appliance.
 - Near toxic and flammable substances, in rooms with a high concentration of vapors of combustible substances (paint, solvent, etc.) or combustible dust. There is a danger of explosion or fire.
- It is not allowed to bring the suction nozzle to any parts of the body or clothing. Careless handling can result in serious injury.
- It is not allowed to suck up red-hot or cooled ash, coals, as well as outstanding cigarette butts, smoldering or burning debris. Clogging may cause a fire.

- It is not allowed to suck up any liquids, as well as clean wet surfaces – wet floors or carpets. Ingress of moisture can cause serious damage to the vacuum cleaner.
- It is not allowed to suck in powders for filling cartridges (toners) of copiers and printers, flour and other fine bulk substances, as well as construction dust, particles of plaster, gypsum, concrete or cement. There is a risk of filter clogging or motor damage.
- It is not allowed to suck up sharp objects: nails, broken glass, etc. They may damage the dust collector and filters.
- Do not use the device to clean furniture. Using the device on a soft, uneven surface or falling off a piece of furniture may lead to a malfunction. Do not use the device on long hair rugs (longer than 0.5 cm).
- This appliance can be used by children over 8 years old and physically or mentally challenged persons or as well as those who lack experience and knowledge only provided they have been given supervision or instruction concerning use of the appliance in a safe way and understand the hazards involved. Children should not play with the appliance. Keep the appliance and the power cord out of reach of children under 8 y.o. Cleaning and maintenance should not be performed by children without supervision.
- Packaging material (film, foam, etc.) may be hazardous to children. Choking hazard! Keep the packaging out of the reach of children.
- It is not allowed to repair the appliance or make any changes in its design. Repair of the appliance must be carried out exclusively by a specialist of an authorized service center. Unprofessional repair can lead to damage to the appliance, injuries and property damage.

STOP *ATTENTION! It is not allowed to use the appliance with any faults!*

Technical Specifications

Model.....	RV-R350
Appliance type.....	robot vacuum cleaner
Power.....	15 W
Suction power.....	10 W
Battery type.....	Ni-Mh
Battery voltage.....	14.4 V==
Battery capacity.....	850 mA*h
Suction adapter input voltage.....	100-240 V~, 50-60 Hz, 500 mA
Power adapter output voltage.....	19 B ==, 600 mA
Electrical safety.....	Class II
Exhaust filter class.....	microfilter
Dust compartment capacity.....	0.22 l
Noise level.....	65 dB
Continuous operation time.....	60-80 minutes
Full charge time.....	4 hours
Indication.....	LED
Obstacle sensor.....	4
Wet cleaning feature.....	available
Overall dimensions.....	Ø325 × 80 mm
Net weight.....	1.7 kg


Package Includes

Robot vacuum cleaner.....	1 pc.
Battery.....	1 pc.
Power adapter.....	1 pc.
Brush set.....	2 pcs.
Wet cleaning attachment.....	1 pc.
Exhaust microfilter.....	2 pc.
User manual.....	1 pc.
Service book.....	1 pc.

The manufacturer has the right to make changes in the design, configuration or package, as well as in the technical characteristics of the product in the course of continuous improvement of its products without further notice of these changes. The specifications allow the error of ±10%.


Parts of Appliance (scheme **A1**, p. 3)

- | | |
|---------------------|------------------------------|
| 1. Right side brush | 4. Battery compartment cover |
| 2. Left side brush | 5. Battery |
| 3. Rear wheels | 6. Front wheel |

7. Dust compartment cover
8. Dust collector compartment
9.  button
10. Light indicator
11. Dust collector
12. Dust collector cover
13. Exhaust microfilter
14. Suction port
15. Wet cleaning attachment base
16. Wet cleaning attachment
17. Socket for connecting power adapter
18. Power adapter
19. Replaceable rotating brushes

I. PRIOR TO THE FIRST USE

Carefully take out the appliance and its components from the box. Remove all the packaging materials and promotional stickers.

 *Be sure to keep in place warning labels, index stickers (if any) and a label with the serial number of the appliance on its body!*

After the transportation or storage at low temperatures, it is necessary to keep the appliance at the room temperature for at least 2 hours before switching on.

Wipe the body of the appliance and all removable parts with a damp cloth and dry. Carefully dry all parts of the device before use.

Before use, remove the plastic battery disconnecter as shown in Diagram [A2](#), page 4.


II. OPERATION OF THE APPLIANCE


Charging the battery

Before using the appliance, the battery must be fully charged. To do this, connect the robot vacuum cleaner to the mains using the adapter: the indicator light will flash red and purple alternately if the appliance is turned on; the indicator will blink blue if the appliance is turned off. Full charge time is approximately 4 hours.


 *It is recommended to charge the battery fully before first use to prolong battery life.*

When the device is fully charged, the indicator will glow constantly.

 **CAUTION!** *The appliance will not work while it is connected to the mains. When you try to turn on the appliance connected to the network, the indicator light will flash red and purple alternately.*


 *The maximum period of continuous use is 80 minutes, depending on the floor and positioning of furniture in the cleaning area.*

Assembly and use the appliance

 *Install the brushes in accordance with the directional markings, R should go into slot R, L into slot L.*

If necessary, use the wet cleaning attachment (see scheme [A3](#), p. 4). Moisten the wet cleaning nozzle with water and wring it out thoroughly; fix it on the base. Insert the pins on the attachment base into the holes on the bottom of the vacuum cleaner and press until they click. To remove the attachment, use both hands to gently pull on the edges of the base, applying light pressure to the middle of the base with your thumbs.


 **STOP** *DO NOT use attachment for wet cleaning on carpets, it will disrupt the vacuum cleaner's movement.*

Press the  button, the appliance will start working and automatically select the movement trajectory.


 *When the battery charge reaches a critical level, the appliance will beep, the indicator will flash red.*

To turn off the appliance, press the  button.

III. CLEANING AND MAINTENANCE

 *For maximum effectiveness, perform a full clean of the device once every two weeks. Clean the dust compartment after each use.*

Before you start cleaning the appliance, make sure that it is unplugged. Wipe the housing of the appliance with a damp, soft cloth. **DO NOT ALLOW THE DEVICE TO GET WET!**

 **STOP** *DO NOT place the appliance body, plug or power supply adapter under a stream of water or submerge it in water.*

DO NOT use any chemically aggressive substances or abrasive pastes, a sponge or tissue with hard or abrasive surface.

The cleaning brushes, dust compartment and attachment for wet cleaning can be cleaned in running water. If necessary, use a soft cleaning cloth. Dry completely before reuse!

Refer to the diagram [A4](#) (p. 4) for the brushes cleaning procedure. Dry completely before reuse!


 *Check the moving parts of the device periodically for dirt, the device may malfunction if dirt is caught in them!*

To clean the dust compartment and microfilter, refer to the diagram [A5](#) (p.5).

Refer to the diagram [A6](#) (p.6) for the accumulator battery replacement procedure.

The accumulator battery needs to be replaced after the end of its effective life.

You can purchase the replaceable accumulator battery REB-R350 for this vacuum cleaner model on the website www.redmond.company or in the official dealers' stores.

 **STOP** *The accumulator battery must be disposed of in accordance with the local recycling program. Take care of the environment: do not dispose of such items with normal household waste.*

Storage and transportation

Clean and dry all the components of the appliance completely before storage and re-use. Store the appliance in a dry, ventilated place away from heating appliances and direct sunlight. During the transportation and storage it is not allowed to expose the appliance to mechanical influences which can cause the damage of the appliance and/or violation of integrity of packing.

It is necessary to protect the packaging of the device from water and other liquids.

IV. BEFORE CONTACTING A SERVICE CENTER

Problem	Possible cause	Solution
The appliance does not turn on	The appliance battery is discharged	Fully charge the battery (see "Charging the battery")
The device beeped, the indicator light is red		
The battery does not charge	Power supply failure or wall socket is not working properly	Check the power supply or connect to a properly working wall socket
	The power adapter is not connected to the mains	Verify that the power adapter is connected properly
Cleaning does not start, the indicator light is red	The wheels have been separated from the surface	Place the device on an even surface and restart
	The device is stuck and the wheels have difficulty turning	Place the device on an even surface and restart. Check the device's wheels, do not put pressure on the device, do not place anything on the device
	Error with front bumper meaning the device cannot move forwards	Do not block the device's path, do not use the device in a small space
	The brushes are dirty	Check the brushes and remove the dirt
The device does not start cleaning or is moving incorrectly	The device is cleaning a surface that is too dark	Stop the device and move it to a lighter part of the floor
	The device is cleaning a strongly reflective surface	Close the curtains to prevent bright sunlight entering the room. Clean the room in a less bright environment
Device giving off a loud noise	Dust collector full	Clean the dust collector



If the problem persists, contact an authorized service center.

Environmentally Friendly Disposal (WEEE)



The packaging, user manual and the device itself shall be taken to the applicable collection point for the recycling of electrical and electronic equipment. Do not throw away the electronic waste to help protect the environment.

Old appliances must not be disposed with other household waste but must be collected separately. Municipal disposal of recyclable wastes is free of charge. The owners of old appliances are required to bring it to a waste facility centre. With this little extra effort, you can help to ensure that valuable raw materials are recycled and pollutants are treated as appropriate.

This appliance is labelled in accordance with European Directive 2012/19/EU – concerning used electrical and electronic appliances (waste electrical and electronic equipment WEEE).

The guideline determines the framework for the return and recycling of used appliances as applicable throughout the EU.

Manufacturer: "Power Point Inc Limited" №1202 Hai Yun Ge (B1) Lin Hai Shan Zhuang Xiameilin Futian Shenzhen. China. 518049. Under license of REDMOND®
Изготовитель: «Пауэр Пойнт Инк. Лимитед» №1202 Хай Юн Ге (B1) Лин Хай Шан Чжуан Сямейлин Футьян, Шеньжень, Китай, 518049. По лицензии REDMOND®
Виробник: «Пауер Поінт Інк. Лімітед» № 1202 Хай Юн Ге (B1) Лін Хай Шан Чжуан Сямейлін Футьян, Шеньжень, Китай, 518049. За ліцензією REDMOND®

Importer (EU): SIA "SPILVA TRADING" Address: Jelgava, Meiju cels 43 – 62, LV-3007 Reg. Nr. 43603078598. **BA** Uvoznik i distributer za Bosnu i Hercegovinu: ASBIS d.o.o., Džemala Bijedića 162, 71 000, Sarajevo, Bosna i Hercegovina. Tel: +387 33 770 200, e-mail: prodaja@asbis.ba, www.asbis.ba. **BG** Вносител: АСБИС България ЕООД И.Н.: BG121655056 Адрес: София, бул. Искърско шосе 7, ЦЧ Европа, срп. 3. Тел.: 02/4284111, www.asbis.bg. **CZ** Dovoze: ASBIS CZ spol. s r.o. Obchodní 103, 251 01 Cestlice, Praha – vychod, Praha, Czech Republic. Tel: +420 272 117 111, www.asbis.cz. **HU** Importőr: ASBIS Magyarországi Kft., H-1135, Budapest, Reitter Ferenc utca 46-48. Tel.: +36 1 236-1000, Fax: +36 1 236-1010, www.asbis.hu. **PL** ASBIS POLAND SP Z O.O., Ul. Krasnowolska 17 A, 02-849, Warszawa. Tel +48 22 33 71 510, www.asbis.pl. **RO** Importator: ASBIS Romania SRL, Splaiul Independentei 319, SEMA PARC, Obiectiv 5, Etaj 2, Sector 6, Bucuresti, 062650, Romania. Tel. +40 21 337 1099, www.asbis.ro. **RU** Импортер в России: ООО «ИЛОТ», 198099, г. Санкт-Петербург, ул. Промышленная, д. 38, к. 2, лит. А, тел.: +7(812) 740-16-30. **SK** Importér/distribútor pre SR: ASBIS SK spol. s r.o., Tuňovská 33, 831 06, Bratislava. Tel: +440-2-32165111, www.online.asbis.sk. **RS** Uvoznik i servis za Republiku Srbiju: ASBIS d.o.o., Cara Dušana 205A, 11080 Zemun, Beograd. Tel: +381 11 310 77 00, www.asbis.rs. **LV** Izplatītājs: SIA „ASBIS BALTICS”; Latvia, Riga, Bauskas iela 58A-15, LV-1004; Tel.: +371 66047820, e-mail: sales@asbis.lv, www.asbis.lv. **UA** Імпортер в Україні: ТОВ ПІІ «АСБІС-УКРАЇНА», 03061, м. Київ, вул. Газова, будинок 30. Тел. +38 044 455 44 11, www.asbis.ua. **SL** Distributer, dajalec garancije in servis za Slovenijo, Asbis d.o.o., Brodišče 15, 1236 Trzin; Tel: + 386 (0) 590 79 927; e-mail: infosales@asbis.si; www.asbis.si. **HR** ASBIS-CR d.o.o.: Slavonska avenija, 24/6 -1 kat; 10000, Zagreb, Croatia; Tel: + 385 1 600 9900, e-mail: prodaja@asbis.hr; www.asbis.hr. **EE** Maaletooja: SIA „ASBIS BALTICS”; Turi 10c, 11313, Tallinn, Estonia; Tel: + 372 66047815, e-mail: sales@asbis.ee; www.asbis.ee. **LT** Importuotojas: SIA „ASBIS BALTICS”; Ateities g. 25B, 06326, Vilnius, Lietuva; Tel.: +370 66047814, e-mail: sales@asbis.lt; www.asbis.lt. **CY** Importer Cyprus: ASBIS Kypros Limited; 26, Spyrou Kyprianou Str, 4040, Germasogeia, Limassol, Cyprus. Tel: +357 25 257 350; Fax: +357 25 322 432; e-mail: info@asbis.com.cy; www.asbis.com.cy

www.redmond.company
www.multivarka.pro
www.store.redmond.company
www.smartredmond.com
Made in China

RV-R350-ENG-UM-1